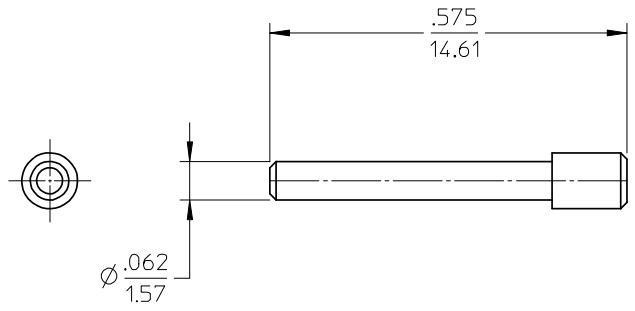
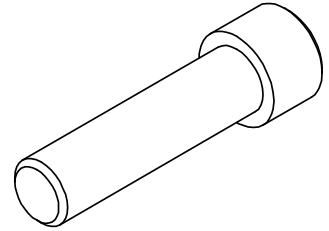
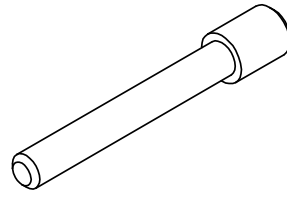
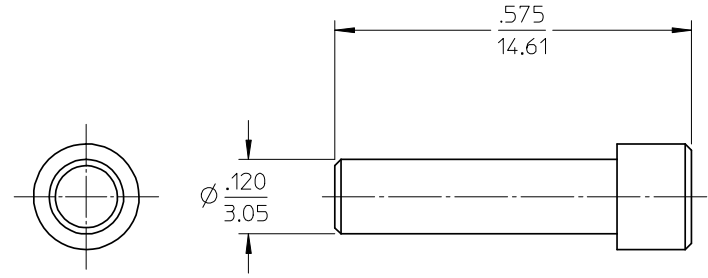


| MATERIAL NO. | CONTACT SIZE | COLOR |
|--------------|--------------|-----------------|
| 845090001 | 20 | RED |
| 845090002 | 12 & 16 | NATURAL (WHITE) |



MATERIAL NO. 845090001
CONTACT SIZE 20



MATERIAL NO. 845090002
CONTACT SIZE 12 & 16

NOTE(S):

- GENERIC MATERIAL NAME: POLYESTER (PBT)
COLOR: SEE CHART
UL FLAMMABILITY RATING: UL94 V-0
MATERIAL IS ROHS COMPLIANT.
- FOR USE WITH PLUG AND RECPTACLE ASSEMBLIES
SERIES: 84501, 84502, 84507, 84508, 84505,
84506, 84510, & 84511.
- PART IS BULK PACKAGED IN A MOLEX WORLD WIDE
CARTON IN QUANTITIES TBD.

| | | | | | | | | | | |
|--|-----------------|--|-----------|--------------------------|---------------------------|------------------|---|------------------------|--|--|
| ADDED ISO VIEW EC NO: WNA2008-0321 DR: WIMWLEUNG CHKD: 2008/06/06 APPR: RDEROSS 2008/06/17 | QUALITY SYMBOLS | GENERAL TOLERANCES (UNLESS SPECIFIED) | | DIMENSION STYLE IN/MM | | SCALE 5:1 | DESIGN UNITS INCH | THIRD ANGLE PROJECTION | | |
| | ▽=0 ▽=0 | 4 PLACES | mm | INCH | DRAWN BY | DATE | TITLE PLUG, SEALING SIZES 20, 12 & 16 | | | |
| | | 3 PLACES | ± --- | ± --- | DMYRICK | 2006/6/29 | | | | |
| | | 2 PLACES | ± 0.38 | ± --- | JPAWLICKI | 2006/6/29 | MATERIAL NO. SD-84509-001 | | | |
| 1 PLACE | ± --- | ± --- | JPAWLICKI | 2006/6/29 | DOCUMENT NO. SD-84509-001 | | | | | |
| ANGULAR ± 1 ° | | DRAFT WHERE APPLICABLE MUST REMAIN WITHIN DIMENSIONS | | SEE CHART | | SHEET NO. 1 OF 1 | | | | |